



**Model Name TH530 Digital Projector**

**Unique selling point**

- \* 1080p resolution
- \* Easy Installation & Control
- \* Easy Maintenance

**Trade Mark**



<b>Projection System</b>	DLP	
<b>Native Resolution</b>	1080p (1920 x 1080)	
<b>Brightness</b>	3200AL	
<b>Contrast Ratio</b>	10000:1	
<b>Display Color</b>	1.07 Billion Colors	
<b>Lens</b>	F=2.55-2.68, f=22-24.1mm	
<b>Aspect Ratio</b>	Native 16:9 (5 aspect ratio selectable)	
<b>Throw Ratio</b>	1.47-1.62 (95° ±3% @ 3.1m)	
<b>Image Size (Clear Focus/ Maximum)</b>	70"~150" / 300"	
<b>Zoom Ratio</b>	1.1:1	
<b>Lamp Type</b>	196W	
<b>Lamp(Normal/Economic/SmartEco Mode)*</b>	4000/6000/6500 hours	
<b>Keystone Adjustment</b>	ID, Vertical +/- 40 degrees	
<b>Projection Offset</b>	116% ±5%	
<b>Resolution Support</b>	VGA(640 x 480) to WUXGA_RB(1920 x 1200) * RB= Reduced blanking	
<b>Horizontal Frequency</b>	15k~102KHz	
<b>Vertical Scan Rate</b>	23 ~ 120 Hz	
<b>Compatibility</b>	HDTV Compatibility	480i, 480p, 576i, 576p, 720p, 1080i, 1080p
	Video Compatibility	NTSC, PAL, SECAM
	3D Compatibility	bottom 3D for resolutions up to SXGA+ Video: 60Hz Frame Sequential 3D for resolutions up to 480i
<b>Interface</b>	Computer in (D-sub 15pin)	x 2 (Share with component)
	Monitor out (D-sub 15pin)	x 1 (Only support Computer 1)
	Composite Video in (RCA)	x 1
	S-Video in (Mini DIN 4pin)	x 1
	HDMI (1.4a)	x 1
	Audio in (Mini Jack)	x 1
	Audio out (Mini Jack)	x 1
	Speaker	2W x 1
	USB (Type B)	x 1 (Download & page/down)
	RS232 (DB-9pin)	x 1
	IR Receiver	x 1 (Front)
<b>Dimensions</b>	Dimensions(W x H x D)	283x95x222 mm
	Weight	1.96KG
<b>Power</b>	Power Supply	AC100 to 240 V, 50 to 60 Hz
	Power Consumption	Normal 270W, Eco 220W, Standby <0.5W
	Power Management Function	Automatic power off after 20 minutes without a display source.
<b>Audible Noise</b>	33/28 dBA (Normal/Economic mode)	

<b>On-Screen Display Languages</b>	Arabic/Bulgarian/ Croatian/ Czech/ Danish/ Dutch/ English/ Finnish/ French/ German/ Greek/ Hindi/ Hungarian/ Italian/ Indonesian/ Japanese/ Korean/ Norwegian/ Polish/ Portuguese/ Romanian/ Russian/ Simplified Chinese/Spanish/ Swedish/ Turkish/ Thai/ Traditional Chinese (28 Languages)
------------------------------------	--

<b>Picture Modes</b>	Dynamic / <b>Presentation</b> / sRGB / Cinema / (3D) / User 1 / User 2		
<b>Accessories</b>	<b>Standard</b>	<b>Optional</b>	
	Remote Control w/ Battery	Spare Lamp Kit	P/N: 5JJFH05.001
	Power Cord (by region)	Ceiling Mount	P/N: 5JJ2K01.001
	User Manual CD	3D Glasses	P/N: 5JJ9H25.001
	Quick Start Guide	Carry bag	
	Warranty Card (by region)		
	VGA(D-sub 15pin) Cable		

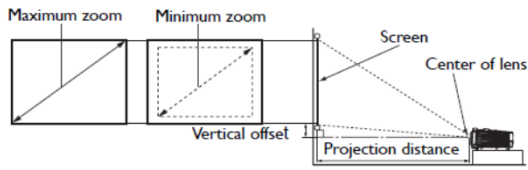
**Environmental Notice** Lamp in this product contains mercury.  
To dispose of the product or used lamps, consult your local environment authorities for regulations or see [www.lamprecycle.org](http://www.lamprecycle.org).

\*Lamp life results will vary depending on environmental conditions and usage. Actual product's features and specifications are subject to change without notice.

\*\* Default mode is **Presentation**. When 3D is on, Picture Modes only shows 3D. When 3D is off, it is not shown in Picture Modes.

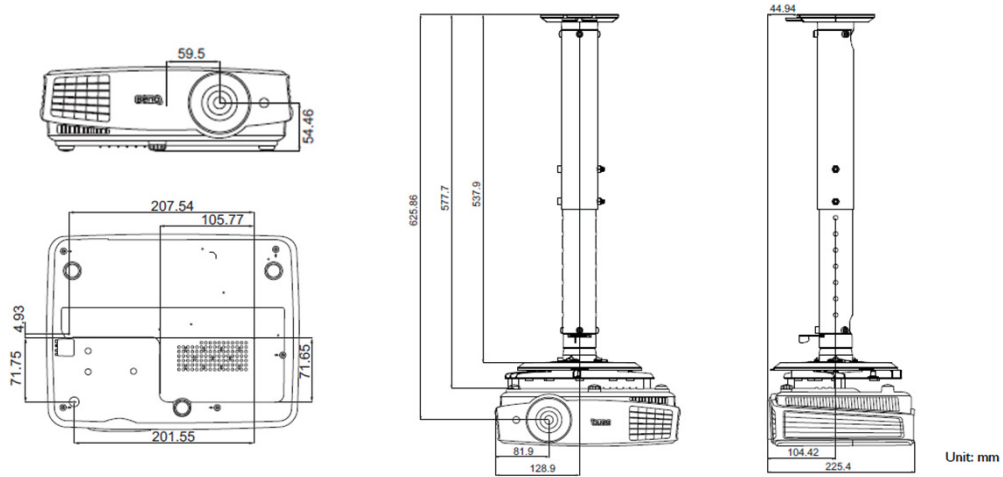
# MH530 Digital Projector

## Distance Chart



Screen size				Projection distance (mm)		
Diagonal	W	H	Min distance	Average	Max distance	
Inch	mm	(mm)	(max. zoom)		(min. zoom)	
40	1016	886	498	1302	1368	1435
50	1270	1107	623	1627	1710	1793
60	1524	1328	747	1953	2052	2152
70	1778	1550	872	2278	2394	2510
80	2032	1771	996	2603	2736	2869
90	2286	1992	1121	2929	3078	3228
100	2540	2214	1245	3254	3420	3586
110	2794	2435	1370	3580	3762	3945
120	3048	2657	1494	3905	4104	4304
130	3302	2878	1619	4231	4446	4662
140	3556	3099	1743	4556	4788	5021
150	3810	3321	1868	4881	5130	5380
160	4064	3542	1992	5207	5473	5738
170	4318	3763	2117	5532	5815	6097
180	4572	3985	2241	5858	6157	6455
190	4826	4206	2366	6183	6499	6814
200	5080	4428	2491	6509	6841	7173
250	6350	5535	3113	8136	8551	8966
300	7620	6641	3736	9763	10261	10759

## Wall mount/Ceiling mount Chart



## Dimension

