



FOR  
 SCREENS UP  
 TO 200KG

# BT9903

## XL HEAVY DUTY UNIVERSAL FLAT SCREEN WALL MOUNT

Designed to mount the largest screens on the market, the heavy duty BT9903 is capable of supporting weights of 200kg when wall mounted. It is ideal for heavy touchscreens over 65" with the universal interface accommodating screens with mounting patterns up to 1000mm x 600mm. With keyhole fixings on the wall plate and a hook-on mounting system, the BT9903 is designed for an easy installation and features height adjustment screws which allow the screen to be levelled once mounted.

### SPECIFICATION

Recommended screen size	65" up to 120"
Max load	200kg*
VESA® & non-VESA fixings	up to 1000 x 600mm
Distance from wall	35mm

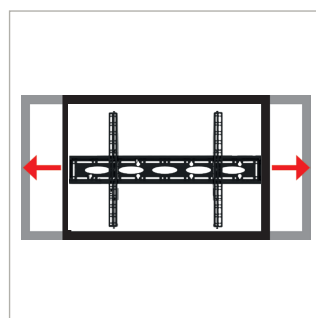
\*Weight limited to 130kg when ceiling mounted across two poles

### FEATURES

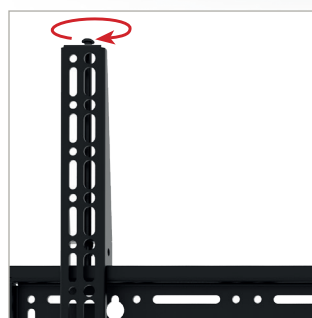
- Designed to mount extra-large screens 65" and over
- Low profile design mounts screen close to the wall
- Lateral adjustment of screen once mounted
- Adjustment screws allow screen to be levelled once mounted
- Safety screws included to prevent removal of screen
- Compatible with B-Tech's System 2 pole mounting system
- Simple 'hook-on' installation with all mounting hardware included



Ultra-Slim design mounts screen only 35mm from the wall



Post installation screen alignment

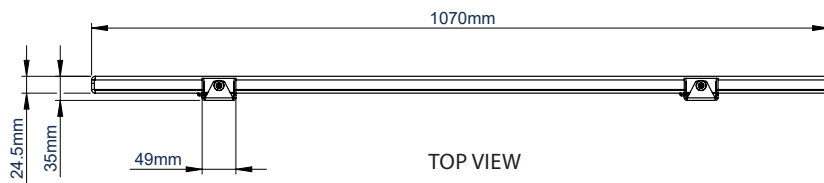
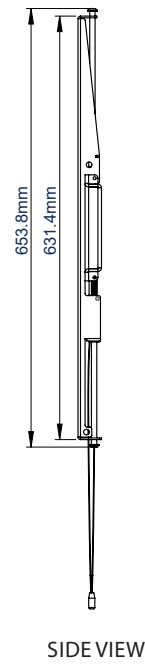
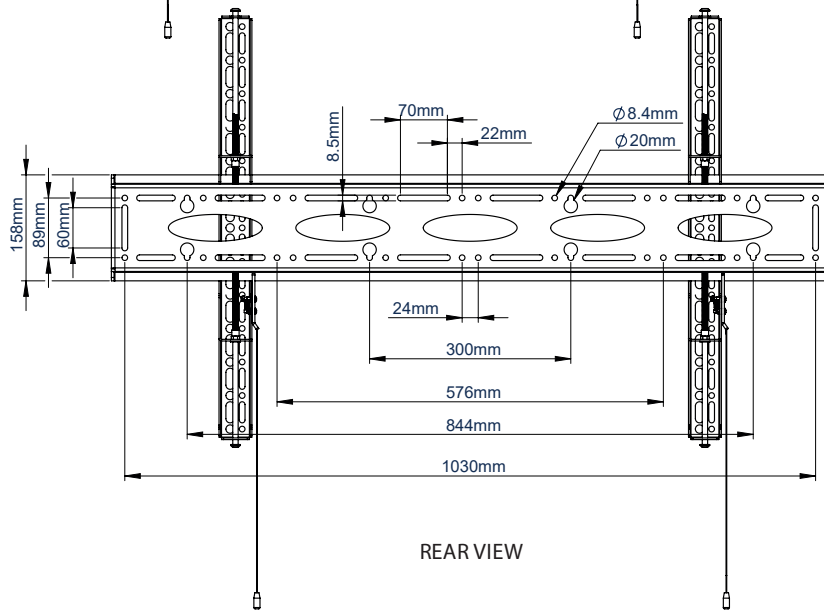
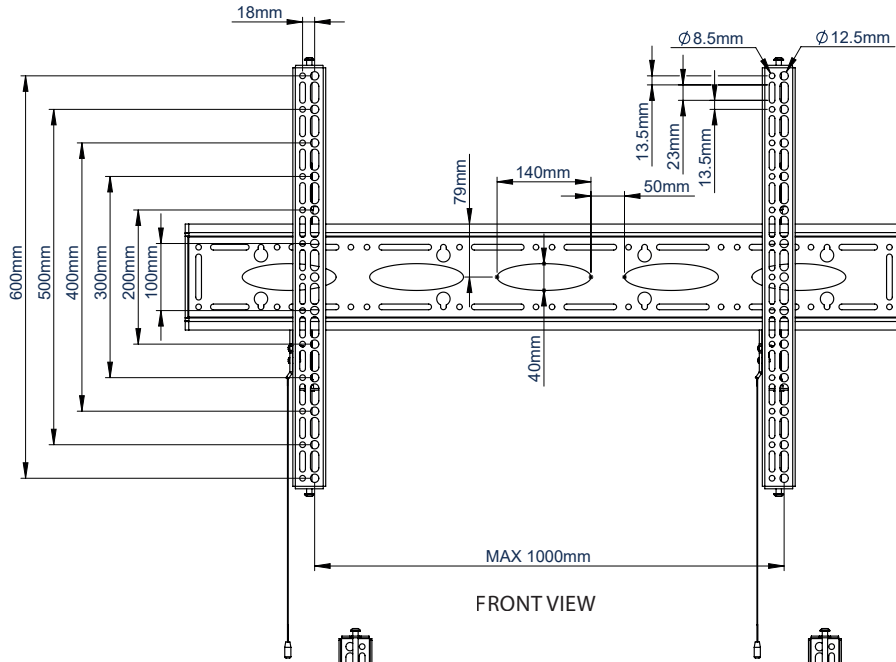


Adjustment screws allow screen to be levelled once mounted



Compatible with B-Tech's collar and pole system for pole mounting heavy duty screens





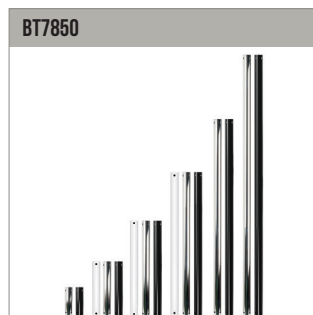
**PACKING INFORMATION**

COLOUR:	ORDER REF:	EAN CODE:	MASTER CARTON QTY:	MASTER CARTON WEIGHT:	MASTER CARTON CUBE:
Black	BT9903/B V2	5019318759079	1	9kg	0.018cbm

**ACCESSORIES AND RELATED PRODUCTS**



**BT7807**  
Heavy Duty Twin Pole Ceiling / Floor Mount for Ø50mm poles



**BT7850**  
Ø50mm Poles are designed for ceiling, floor or floor-to-ceiling installations, available up to 3m



**BT9910**  
Universal XL Flat Screen Wall Mount with Tilt for screens up to 100"



**BT8448**  
Universal XL Flat Screen Ceiling Mount for screens up to 130kg

© 2015 B-Tech Av Mounts. All rights reserved.  
The information in this specific and other technical specifications are the property of B-Tech Av Mounts Ltd.  
We warrant the goods to be free from defects in materials and workmanship for a period of 12 months from the date of purchase.  
B-Tech Av Mounts Ltd. is not liable for loss or damage caused by improper or negligent installation, use, or maintenance of any part of this specification. See the user manual for more information. B-Tech Av Mounts Ltd. is not responsible for any damage or loss of any kind.  
SS-BT9903V2-V3-120521