

Professional Video Wall Mount

For more information please visit www.btechavmounts.com/BT8311

BT8311




When the BT8311 is used to wall mount video walls with more than two rows, it is recommended that alternate rows of BT8311 and BT8310 (pop-out mounts) are used - as shown in the matrix to the right.

BT8310	BT8310	BT8310
BT8311	BT8311	BT8311
BT8310	BT8310	BT8310
BT8311	BT8311	BT8311

BT8311

Professional Video Wall Mount

Dramatically reduce installation times by eliminating the need for measuring and complicated calculations with the use of screen specific spacers and 8 point micro-adjustments for perfectly aligned screens every time

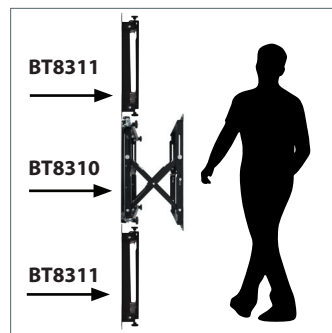
- Designed for video wall screens up to 50kg (110lbs)
- Fits screens with VESA® and non-VESA® mounting patterns from 200 x 200mm up to 400 x 400mm*
- VESA® adapter kit available for mounting patterns from 600 x 400mm up to 800 x 400mm
- Modular mount for unlimited wall display configurations
- Tool-less micro-adjustments at 8 points for seamless display alignment
- To allow access to the micro-adjustment in video wall configurations with more than 2 rows, it is recommended that the BT8311 be used in conjunction with the BT8310 pop-in, pop-out video wall mount
- Screen model-specific wall plate spacers are available and dramatically shorten install times by eliminating guesswork and on-site installation calculations
- Suitable for landscape or portrait screen mounting (the recommended minimum screen height for landscape mounting is 542mm and 571mm for portrait)
- Integrated cable management
- Safety screws to help prevent unauthorised screen removal
- Available in Black



When used with BT8310-AD64/B Adaptor
When used with BT8310-AD86/B Adaptor



Tool-less micro-adjustment at 8 points to seamlessly align the displays



Use in conjunction with the BT8310 for video wall configurations with more than 2 rows



An endless amount of configurations are possible when using the BT8311 together with B-Tech collars and poles (available separately)

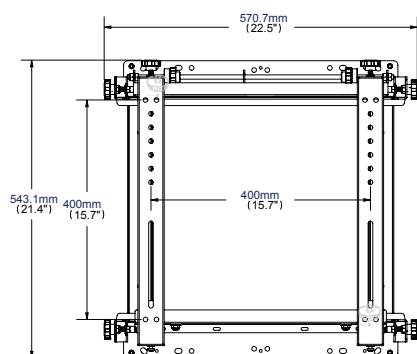


Ideal for mounting banks of information screens and menu boards

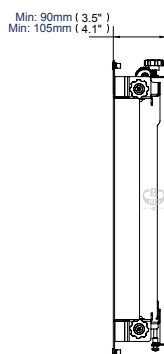
Professional Video Wall Mount

For more information please visit www.btechavmounts.com/BT8311

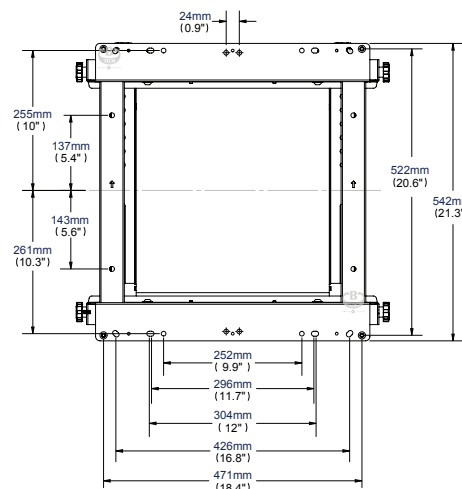
BT8311



Front View



Side View

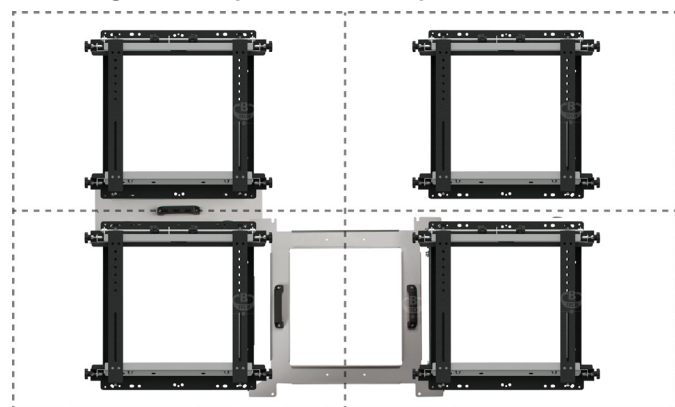


Rear View

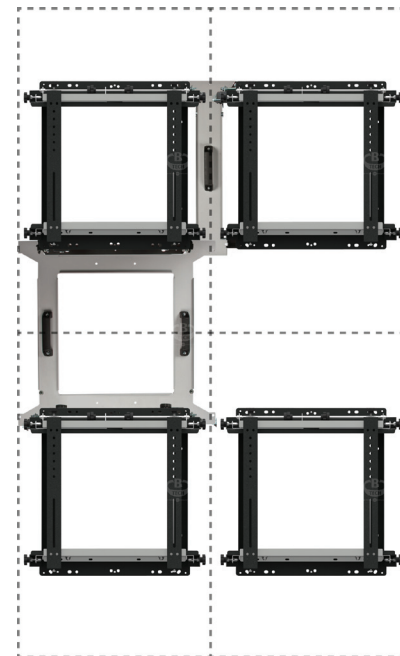
Custom Wall Plate Spacers

Wall plate spacers are available for the BT8310 and BT8311 video wall mounts and eliminate tedious alignment calculations, meaning less time is wasted through measuring and 'guesswork'. These spacers are available to order separately and are screen specific for all popular brands such as LG, Samsung, Sharp, Phillips, NEC and Orion. To find out which spacer kit is needed for a specific screen please visit www.btechavmounts.com/BT8311

Mounting with Templates - Landscape



Mounting with Templates - Portrait



Colour:	Order Ref:	EAN Code:	Master Carton Qty:	Inner Carton Qty:	Master Carton Weight:	Master Carton Cube:
Black	BT8311/B	5019318089701	1	N/A	11 kg (24.2lbs)	0.043cbm (1.53cuft)

This information is intended as a guide only and reflects the current specification at the time of print. B-Tech accepts no liability for the accuracy of the information contained in this document.