



OPEN DESIGN  
 GIVES AIRFLOW  
 AND KEEPS  
 DEVICE COOL



# BT7880

## WALL MOUNT FOR APPLE TV® (4TH GEN)

Designed specifically for wall mounting 4th Generation Apple TV® media players, the BT7880 features an open framework design which provides sufficient airflow to the device while keeping it secure; preventing unauthorised removal through the use of locking bars and "Pin Torx" security screws. The BT7880 features a large tilt and swivel range and can also be mounted onto poles and System X extrusions for more mounting flexibility. The mount is quick and easy to install and all mounting hardware is included.

### SPECIFICATION

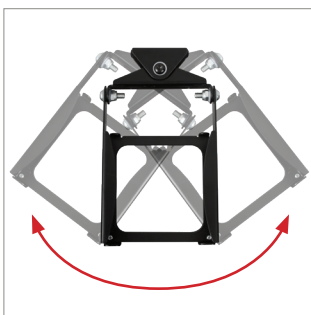
Steel thickness	1.5mm
Dimensions	W:100mm D:178mm H:40mm
Tilt	+/-90°
Swivel	75°
Colour	Black

### FEATURES

- Specifically designed to mount **4th Generation Apple TV's**
- Can be used to mount the device to walls, poles or System X™ extrusions for greater mounting flexibility
- Features +/-90° tilt and 75° swivel
- Open framework design provides a greater airflow, keeping the device cool
- Locking bar and "Pin Torx" security screws keep the Apple TV secure, helping prevent unauthorised removal of the device
- Previous Apple TV generations can be mounted using the **BT7860**
- Quick and easy installation
- All mounting hardware included



SYSTEM X™



Features +/-90° tilt and 75° swivel



Can be used to mount the device to walls, poles or System X™ extrusions



Locking bar and "Pin Torx" security screws keep the Apple TV secure



Open framework design provides a greater airflow, keeping the device cool

