

Low Level Flat Screen Floor Stand Designed for screens up to 65"

For more information please visit www.btechavmounts.com/BT8541

BT8541

PROINSTALL™



**MAXIMUM
FIXING DIMENSIONS**
HORIZONTAL: 755mm (29.7")
VERTICAL: 410mm (16.1")

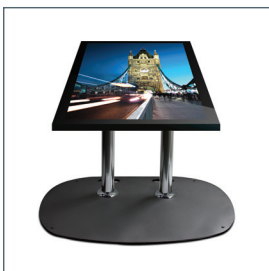
BT8541

Low Level Flat Screen Floor Stand

**Designed for touch screens
up to 65" (165cm) / 70kg (154lbs)**

- Fits screens with mounting patterns up to 755mm (29.7") x 410mm (16.1") including VESA patterns up to 600 x 400mm
- Adjustable tilt of 90° with fixed positions of 0°, -22.5°, -45°, -67.5° and -90°
- Mounts screen in landscape or portrait style
- 0.5m Ø60mm poles supplied with cable management holes
- Trolley Dimensions:
Height: 685mm (27")*
Depth: 610mm (24")
Width: 890mm (35")
- Colours Available:
Black Base with Black Poles,
Black Base with Chrome Poles and
Silver Base with Chrome Poles

*Additional height options are available, please contact us for more info



Mounts screen in landscape or portrait style



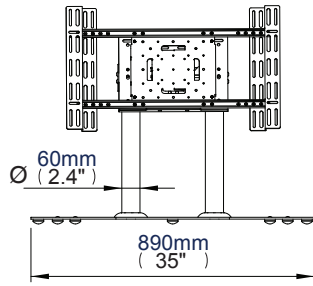
Tempered Glass Shelf and Bracket (BT7163 + BT7161) also available



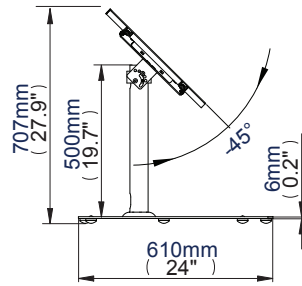
Low Level Flat Screen Floor Stand Designed for screens up to 65"

For more information please visit www.btechavmounts.com/BT8541

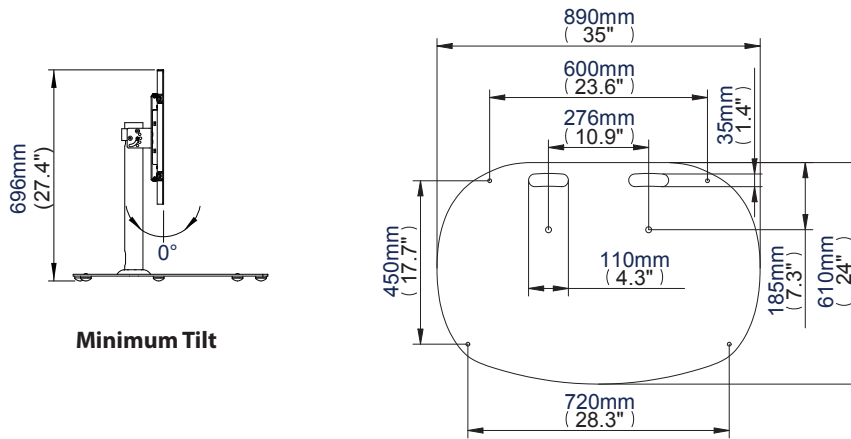
BT8541



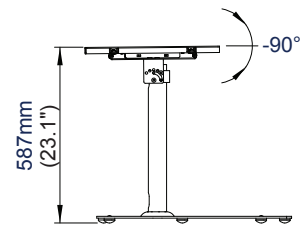
Front view



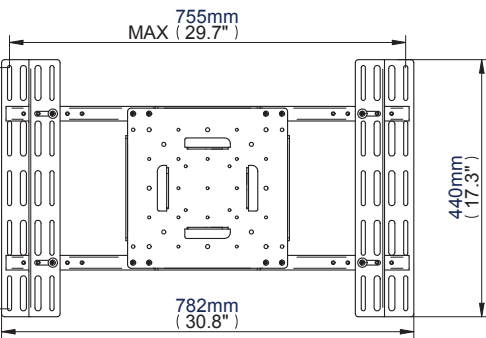
Side view



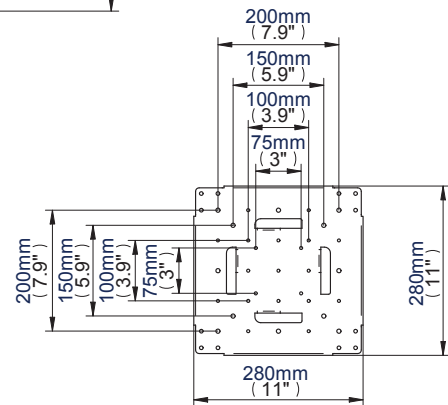
Base



Maximum Tilt



Universal Interface Plate



VESA Interface Plate

Colour:	Order Ref:	EAN Code:	Master Carton Qty:	Inner Carton Qty:	Master Carton Weight:	Master Carton Cube:
Black Base & Black Poles	BT8541/BB	5019318089367	0.5/0.5	0/0	14kg (30.87lbs) / 24kg (52.91lbs)	0.036cbm (1.27cuft) / 1.274cbm (0.04cuft)
Black Base & Chrome Poles	BT8541/BC	5019318089374	0.5/0.5	0/0	14kg (30.87lbs) / 24kg (52.91lbs)	0.036cbm (1.27cuft) / 1.274cbm (0.04cuft)
Silver Base & Chrome Poles	BT8541/SC	5019318089381	0.5/0.5	0/0	14kg (30.87lbs) / 24kg (52.91lbs)	0.036cbm (1.27cuft) / 1.274cbm (0.04cuft)

**Please note: this product is packed into 2 boxes*

**This information is intended as a guide only and reflects the current specification at the time of print.
B-Tech accepts no liability for the accuracy of the information contained in this document.**